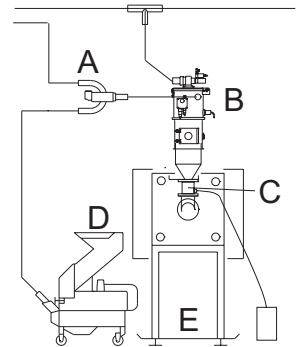


Typical application of a metal separator.

- A Two-component valve
- B Hopper loader
- C Metal separator Component
- D Granulator
- E Processing machine

Component C is described below.



## Brief Description

### Application

For the detection and removal of ferrous and non-ferrous metals from the bulk material. Prepared and optimized for use with Colortronic dosing and conveying equipment.

- Colortronic metal separators are designed for continuous, 24 hour operation
- Colortronic metal separators meet all CE requirements

### Rugged, modular construction

Compact nickel coated aluminum housing with integrated metal detector. The control unit can be placed separately. Metal is removed by an integrated venturi nozzle.



**Technical Information**

**Basic Version**

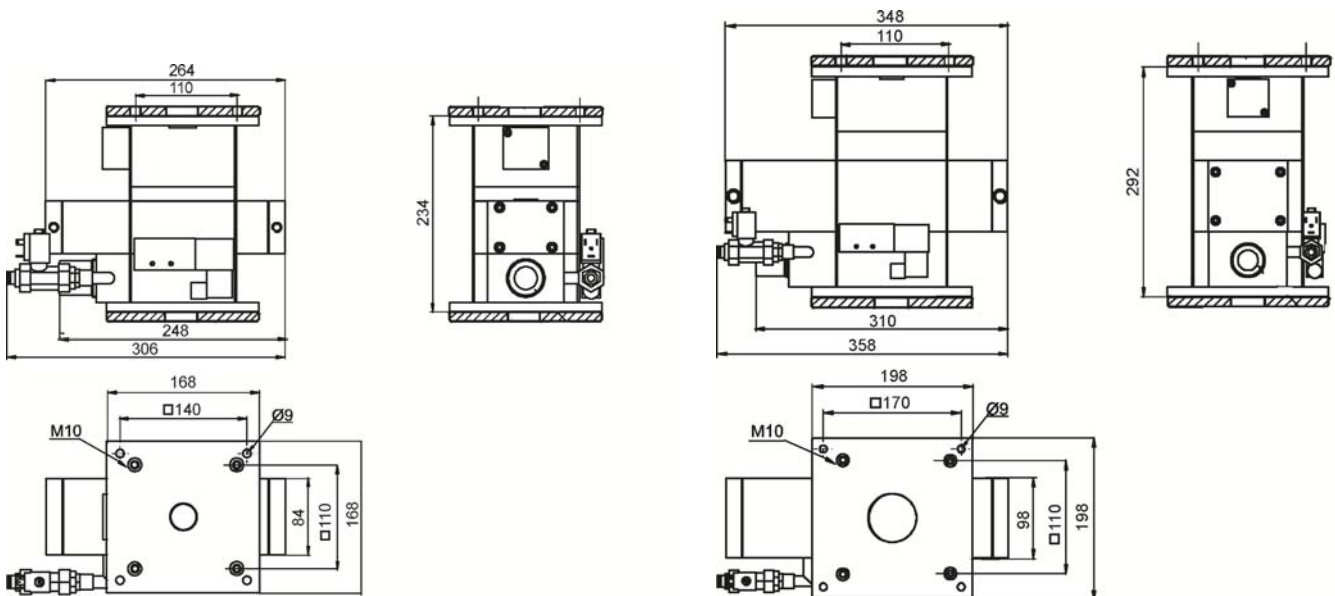
- Combined operation/error indication
- Nickel coated aluminum housing
- Controller with 3 meter connecting cable
- Dry contact alarm output
- Manual remove switch

**Optional Equipment**

- Digital event counter
- Compressed air monitor
- Optical / acoustic alarm device
- Material container incl. dust filter and spiral tube
- Longer controller connecting cable
- Special voltage

**Performance**

- Operating voltage 115/230 V  $\pm 10\%$ , 50/60 hz
- Compressed air supply 5 to 10 bar
- Detection of all metals (including stainless steel, brass and copper)
- Passage diameter 30, 40, 50 mm
- Scanning sensitivity, adjustable in 8 steps



[www.colortronic.com](http://www.colortronic.com)

**Colortronic GmbH**  
Germany

☎ +49 61 75 7 92-0  
 ☎ +49 61 75 7 92-1 79  
 ✉ [info@colortronic.de](mailto:info@colortronic.de)

**Colortronic Systems AG**  
Switzerland

☎ +41 62 889 25 25  
 ☎ +41 62 889 25 26  
 ✉ [info@colortronic.ch](mailto:info@colortronic.ch)

**Colortronic Systems srl**  
Italy

☎ +39 0 131 87 29 33  
 ☎ +39 0 131 87 29 41  
 ✉ [info@colortronic.it](mailto:info@colortronic.it)

**Colortronic Kft. South East Europe**  
Hungary

☎ +36 1397 1833  
 ☎ +36 1397 1833  
 ✉ [info@colortronic.hu](mailto:info@colortronic.hu)

**Colortronic Systems Pte. Ltd**  
Singapore

☎ +65 677 77 665  
 ☎ +65 677 88 671  
 ✉ [ctasia@colortronic.com](mailto:ctasia@colortronic.com)

**Colortronic U.K. Ltd.**  
Great Britain

☎ +44 12 46 260 222  
 ☎ +44 12 46 455 420  
 ✉ [sales@colortronic.co.uk](mailto:sales@colortronic.co.uk)

**Colortronic Inc.**  
USA

☎ +1 810 720 7300  
 ☎ +1 810 720 2598  
 ✉ [info@colortronic.us](mailto:info@colortronic.us)