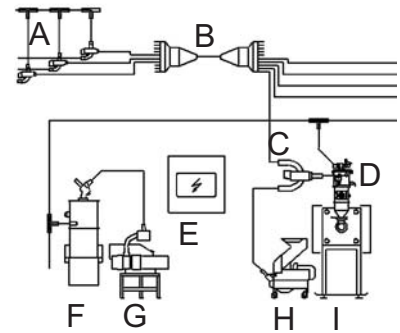


Typical set up for a multiple vacuum conveying system.

- A Material clearing valve
- B Rotary valve
- C Two component valve
- D Hopper loader
- E Conveying control system
- F Safety filter
- G Vacuum pump
- H Granulator
- I Processing machine



Component D is described below.

Brief Description

Application

The Colortronic CSK 5 allows for the conveying of free flowing pelletized plastic materials using vacuum receivers (CSK 5) which integrates into a central conveying system. When conveying very abrasive materials, a high abrasion resistant option is available.

- Colortronic hopper loaders are designed for continuous 24-hour operation
- Colortronic hopper loaders meet the European "CE" requirements.

Sturdy construction

The hopper loaders work without filters and are made of stainless steel, guaranteeing minimum abrasion and corrosion.

The modular design, with the hinged lid and variable capacities, allows for flexibility to meet changes in process requirements. Material changes and cleanings are made quickly and easily allowing for minimal downtime of the customer's process.

The operating conditions are indicated on the hopper loader by large LED's as follows: on; demand; conveying; alarm.



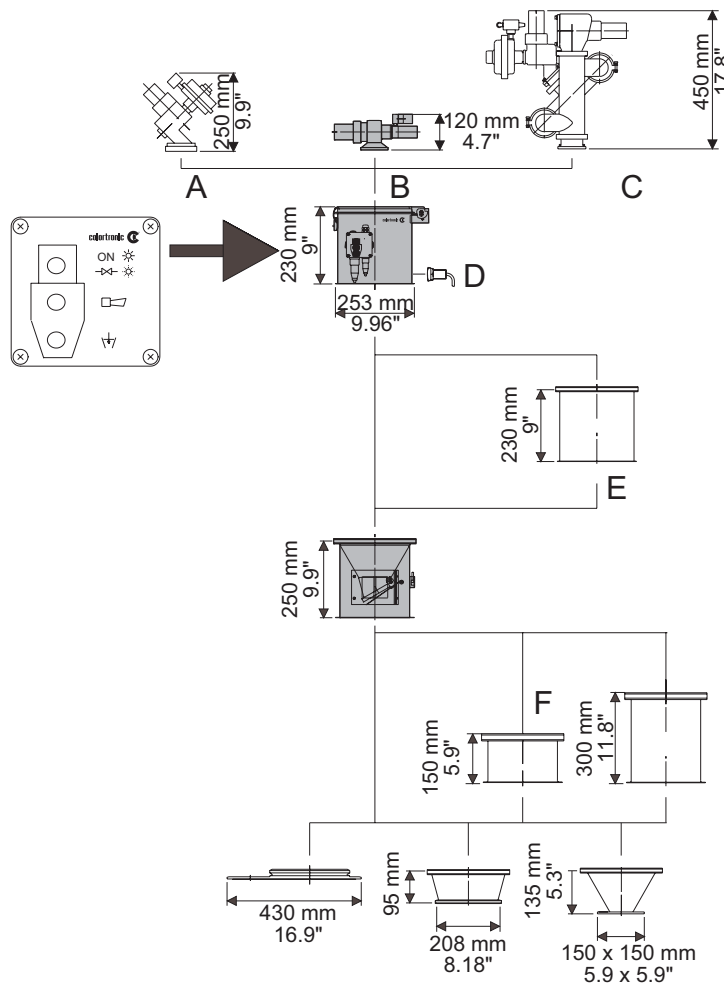
Technical Information

Basic Version

- Hopper loader capacity approx. 5 l; 0.16 cu. ft.
- Made of stainless steel DIN material No. 1.4301
- Cleaning opening
- Hinged lid
- Pneumatic valve (B)
- On/off switch on the hopper loader
- Indication of operating conditions at the hopper loader:
demand, conveying, alarm
- ZKW output
- Voltage 24 VDC
- Maximum material temperature
approx. 160 °C; 320 °F

Optional Equipment

- Diaphragm valve (A)
- Maximum level probe (D)
- High abrasion resistant option
- Dust separating module (C)
- Extension module for hopper loader capacity of
approx. 15 l; 0.5 cu. ft. (E)
- Connection modules (F)
- Blow-Back for cleaning the loader sieve



www.colortronic.com

Colortronic GmbH
Germany
☎ +49 61 75 7 92-0
☎ +49 61 75 7 92-1 79
✉ info@colortronic.de

Colortronic Systems AG
Switzerland
☎ +41 62 889 25 25
☎ +41 62 889 25 26
✉ info@colortronic.ch

Colortronic Systems srl
Italy
☎ +39 0 131 87 29 33
☎ +39 0 131 87 29 41
✉ info@colortronic.it

Colortronic Kft. South East Europe
Hungary
☎ +36 1397 1833
☎ +36 1397 1833
✉ info@colortronic.hu

Colortronic Systems Pte. Ltd
Singapore
☎ +65 677 77 665
☎ +65 677 88 671
✉ ctasia@colortronic.com

Colortronic U.K. Ltd.
Great Britain
☎ +44 12 46 260 222
☎ +44 12 46 455 420
✉ sales@colortronic.co.uk

Colortronic N.A. Inc.
USA
☎ +1 810 720 7300
☎ +1 810 720 2598
✉ info@colortronic.us